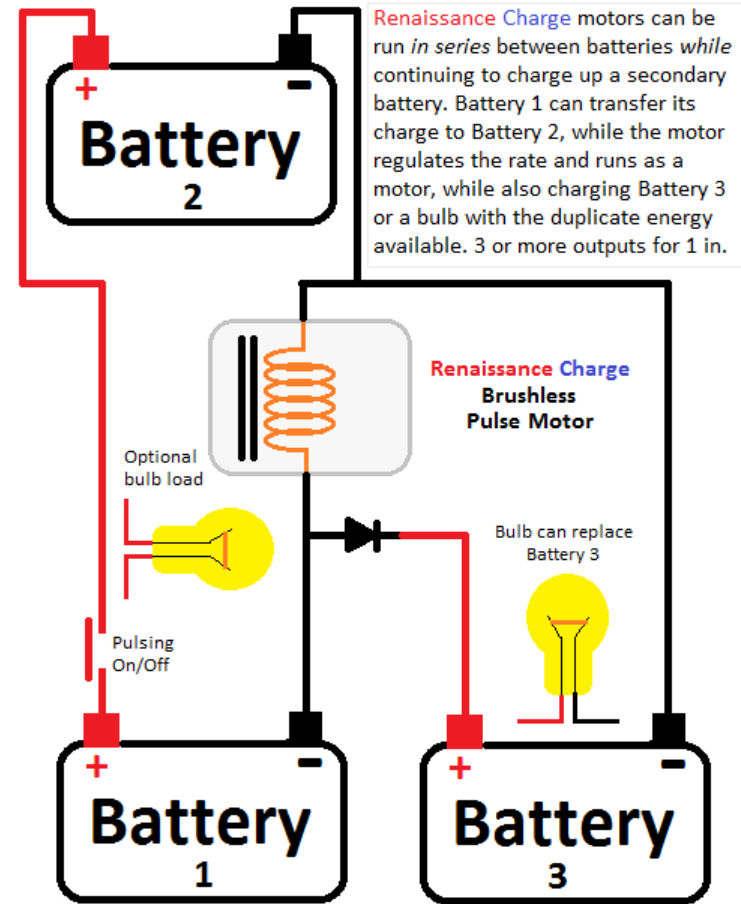
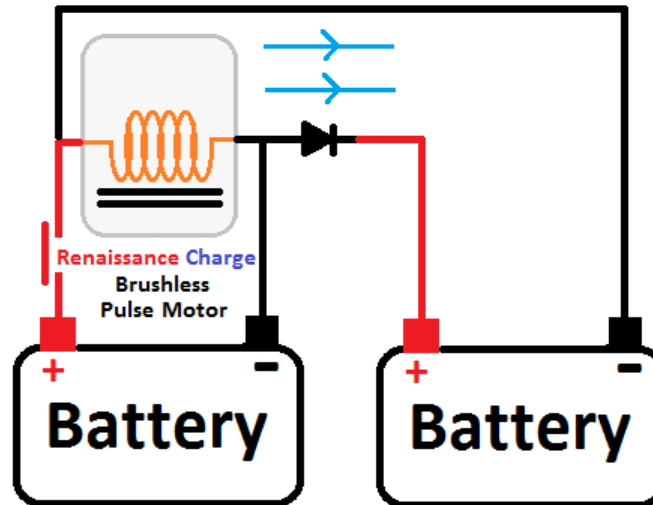
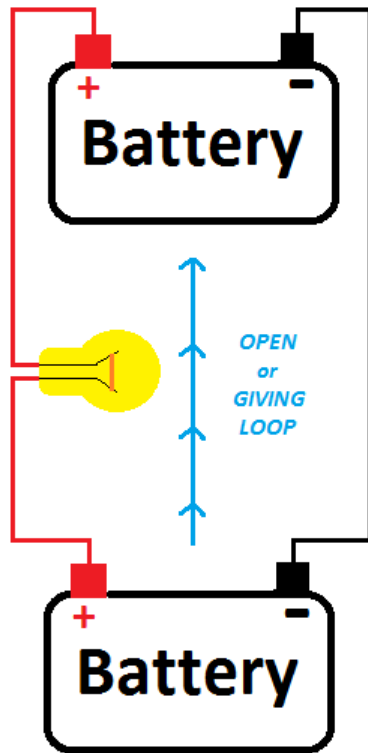


By Rick Friedrich of Renaissance Charge
 TruthInHeart.com R-Charge.com 2/2/16
<http://RPMGT.org/SelfishCircuitLovingPath.html>
<http://RPMGT.org/SelfishOrLovingCircuit1.pdf>
<http://RPMGT.org/SelfishOrLovingCircuit2.pdf>
<http://RPMGT.org/SelfishOrLovingCircuit4.pdf>

COMBINING TWO OPEN PATHS INTO ONE LOVING AND GIVING SYSTEM

(Words and illustrations used in the most basic sense for making one practical point and not to be seen as a detailed or perfect description of all facts and related processes.)

No one can receive anything unless it is given from heaven. (John 3:37) It is more blessed to give than to receive. (Acts 20:35) And this is the condemnation, that light is come into the world, and men loved darkness rather than light, because their deeds were evil. For every one that does evil hates the light, neither comes to the light, lest his deeds should be reproved. But he that does the truth comes to the light, that his deeds may be made manifest, that they are accomplished in God. (John 3:19-21)



Renaissance Charge motors can be run *in series* between batteries while continuing to charge up a secondary battery. Battery 1 can transfer its charge to Battery 2, while the motor regulates the rate and runs as a motor, while also charging Battery 3 or a bulb with the duplicate energy available. 3 or more outputs for 1 in.

<https://youtu.be/SE-AiC9yiFc> 2 hour video

Battery 1 can be 2 12V in series at 24V while battery 2 is 2 12V in parallel. Then rotated B. 1 12V and B. 2 24V.